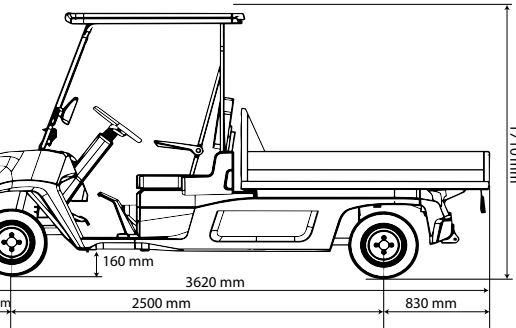
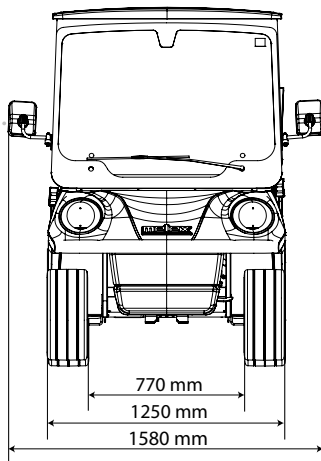


N.20 CARGO SHORT H

*with pickup bed 770 x 1145 x 250 mm



N.20 CARGO LONG H

*with pickup bed 1770 x 1200 x 250 mm

	CARGO SHORT H	CARGO LONG H
MOTOR	48V 3-phase AC	48V 3-phase AC
NOMINAL POWER	5,0 kW	5,0 kW
PEAK POWER	11,5 kW	11,5 kW
MAX TORQUE	75 Nm	75 Nm
MOTOR CONTROLLER	350A	350A
CHASSIS	Hot dip galvanized steel frame	Hot dip galvanized steel frame
BRAKES	Hydraulic drum brakes	Hydraulic drum brakes
SUSPENSIONS	Double wishbone (F) - Leaf spring(R)	Double wishbone (F) - Leaf spring(R)
TIRES	195/55 R10	195/55 R10
TOW LOAD CAPACITY	220 kg	260 kg

PERFORMANCE

TOP SPEED	33 km/h
------------------	---------

MASS

CHASSIS PAYLOAD	up to 200 kg	up to 475 kg
VEHICLE WEIGHT (without battery and options)	480 kg	540 kg

DIMENSIONS

LENGTH*	2600 mm	3620 mm
WIDTH (without / with mirrors)	1250 mm / 1580 mm	1250 mm / 1580 mm
HEIGHT	1710 mm	1710 mm
WHEELBASE	1630 mm	2500 mm
OUTER TURNING RADIUS	3300 mm	4600 mm

PICKUP BED OPTIONS length x width x height - material

770 x 1145 x 250 mm - profiled alu	1770 x 1200 x 250 mm - alu plate
750 x 1170 x 250 mm - profiled alu	1750 x 1240 x 250 mm - profiled alu
	1750 x 1240 x 350 mm - profiled alu

STANDARD FEATURES

5,0 kW AC motor, water filling system for Flood Lead Acid (FLA) batteries, 48V on-board battery charger, on-board diagnostics (only street legal), LED front & rear lights, 12V output, 10" wheels, windshield with wipers, hydraulic drum brakes, 3-point seat belts

OPTIONAL FEATURES

Lithium batteries, heated front windshield, FM or DAB radio with Bluetooth, profiled seats, closed glove compartment, reverse camera, AVAS system (Acoustic Vehicle Alerting System), beacons, tilt system (Cargo Long), mesh cages, frame structure with a canvas cover, tow hook, roof bars, bumper

BATTERY	SHORT & LONG FLA		SHORT & LONG LI-ION		
CAPACITY	T125 240Ah std.	T145 260Ah	6,2 kWh	9,3 kWh	12,4 kWh
VOLTAGE	48 V	48 V	48 V	48 V	48 V
WEIGHT	240 kg	270 kg	38 kg	57 kg	76 kg
CHARGE TIME	~11 h	~11 h	~4,5 h	~6,5 h	~9,5 h